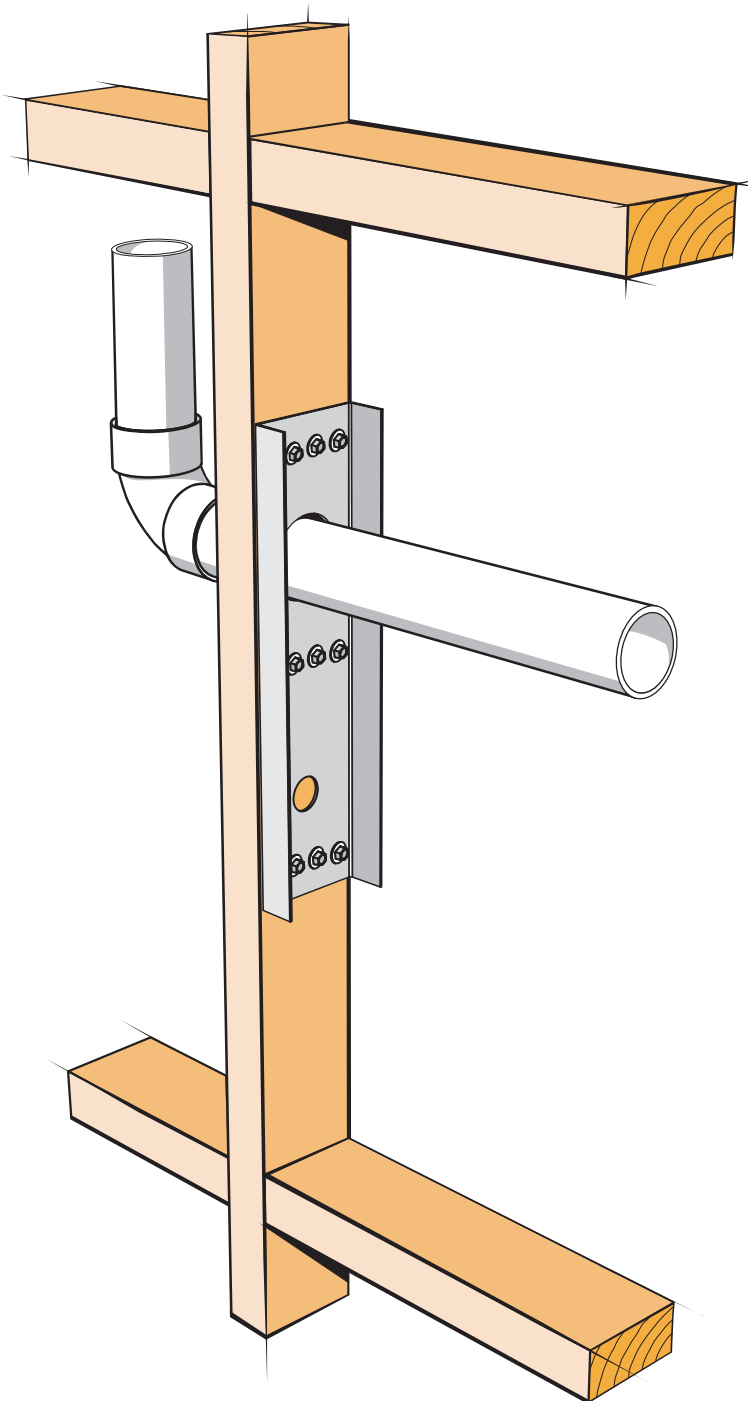
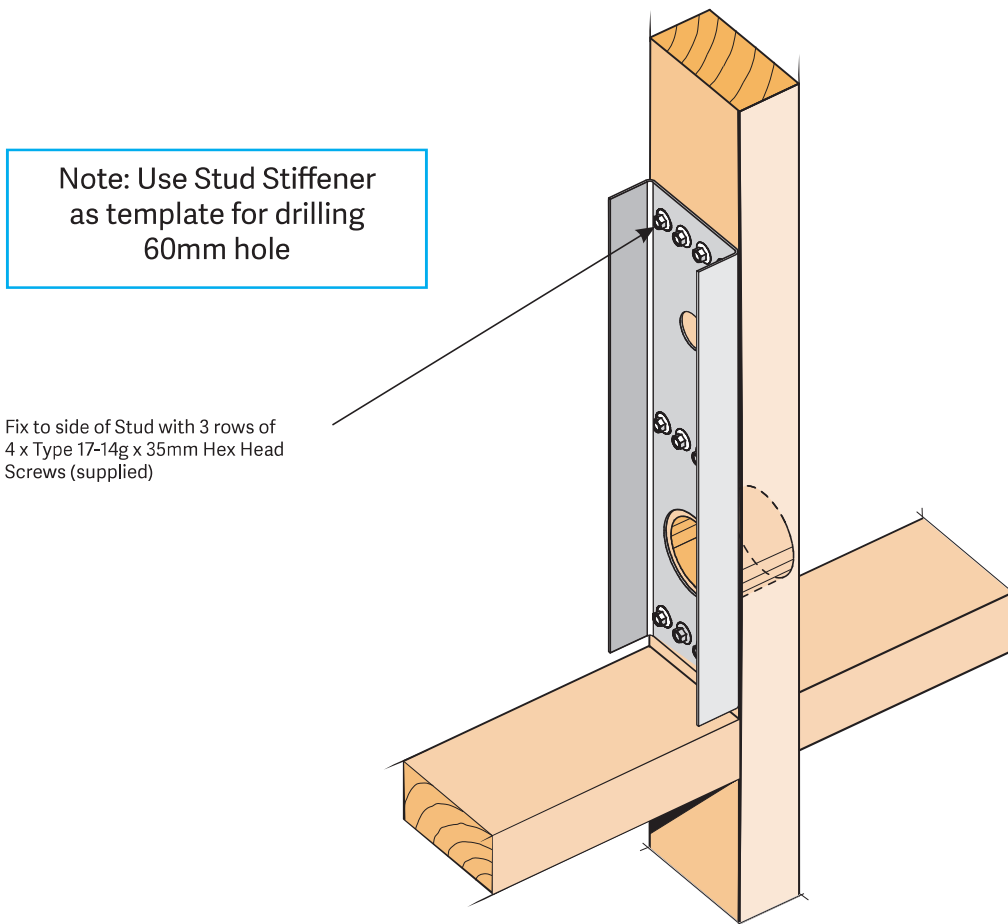
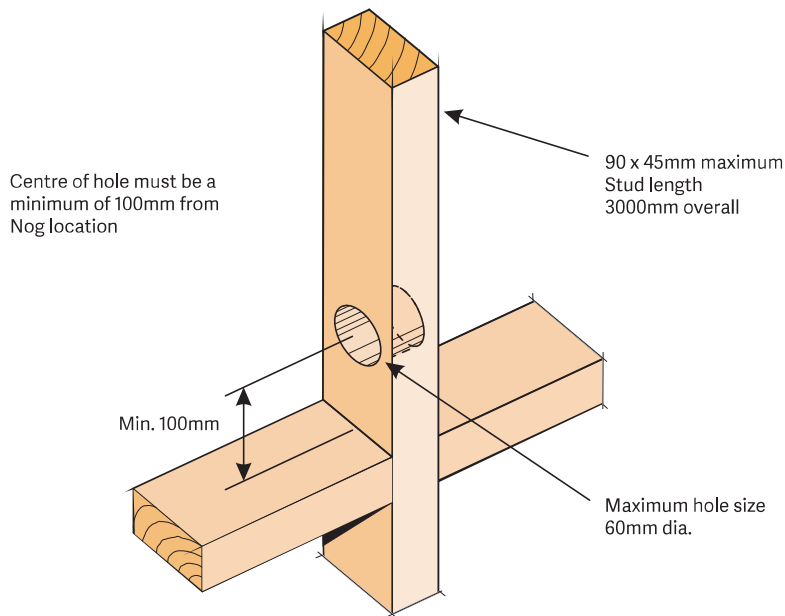


FRAMING STUD STIFFENER

- For plumbing or vacuum system ducting through timber studs
- Reinforces 90 x 45mm timber studs back to FULL STRENGTH!
- Solution to include holes up to 60mm diameter
- Refer Clause 8.5.1.6 NZS 3604:2011
- Suitable for Studs up to 3m high
- For Double Studs, fix bracket to both sides



NZ Reg. Design
App. 408133 © 2006
MiTek New Zealand Ltd.



Code: FSS
Material: 1.55mm G300 Z275 Galvanised Steel
Packed: 8 x Framing Stud Stiffeners per Carton
100 x Type 17-14g x 35mm Hex Head Galvanised Screws