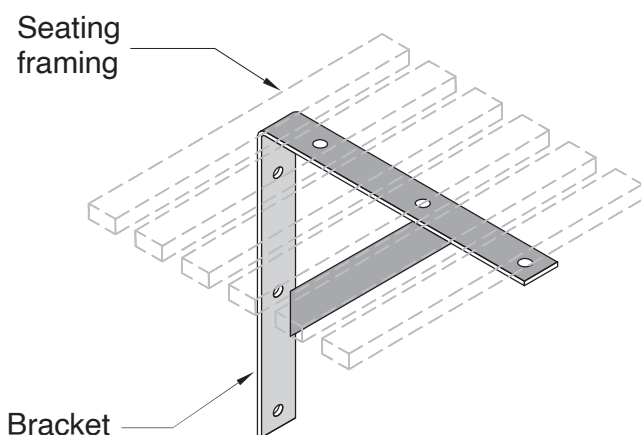


BUILDING WITH BOWMAC[®]

ANGLE BRACKETS WITH GUSSET



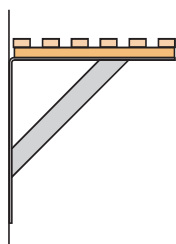
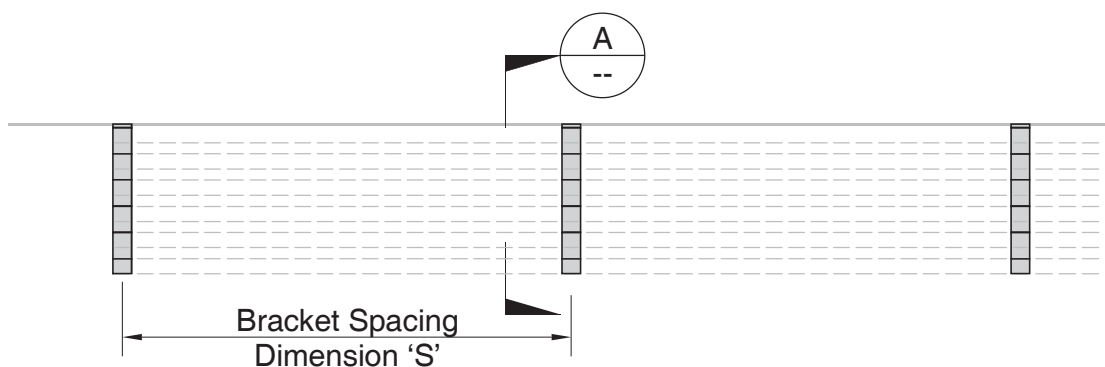
BRACKET RANGE

- B163 and B165

FIXING NOTE

- All bolt holes accommodate M12 Bolt unless noted.

TYPICAL USE



SECTION
SCALE: NTS



SEATING LOAD

- Bracket designed to carry live load of 3.0kPa.

BRACKET SPACING TABLE

Bracket	Max. Spacing 'S'
B163	2.0m
B165	2.0m

LOAD NOTE

- Bracket selection for B163 & B165 is dependant on seating width only. The same unit load applies to both brackets.