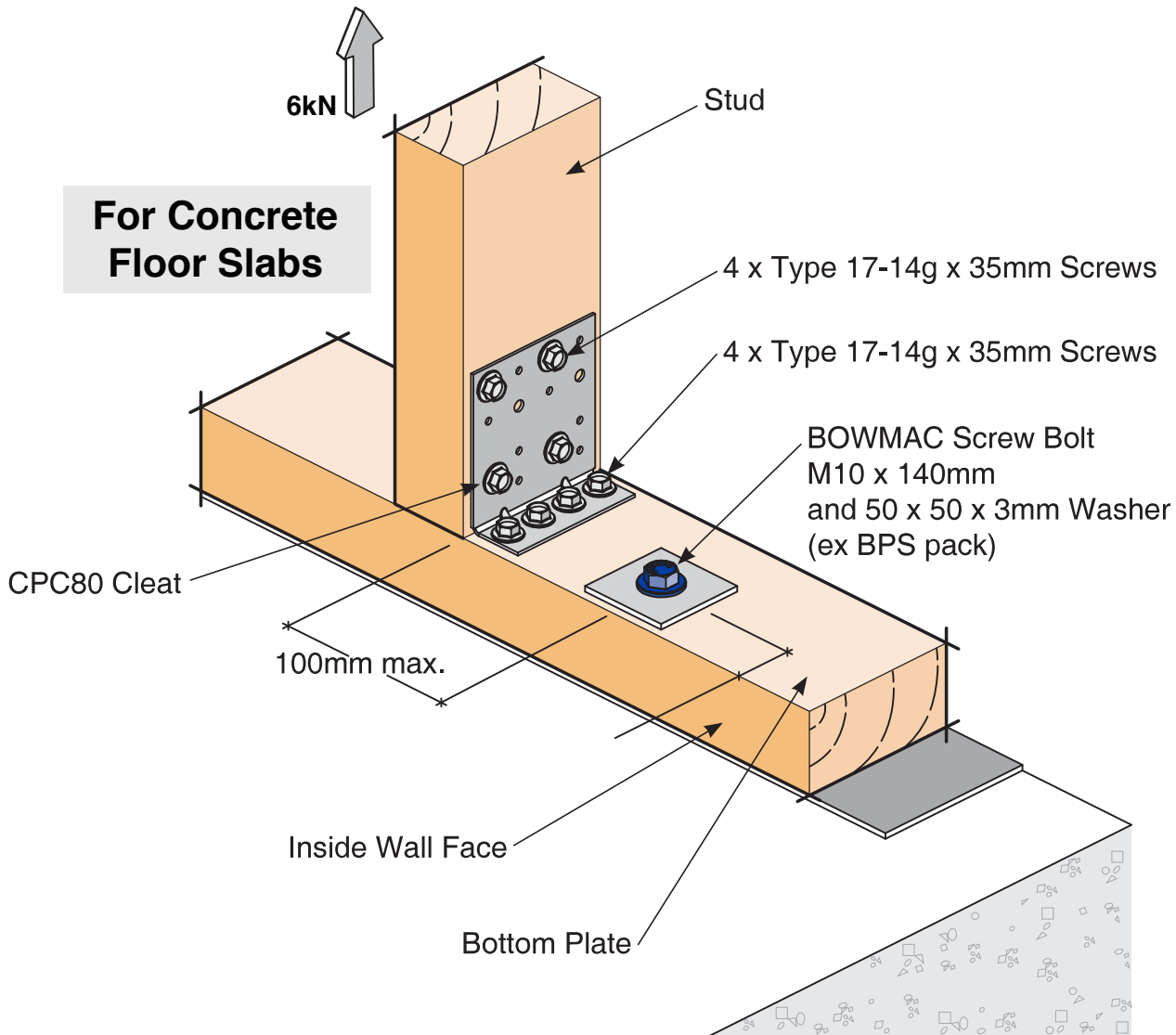


6kN STUD TO BOTTOM PLATE FIXING

→ Ideal as retro fit fixing after lining/cladding is installed

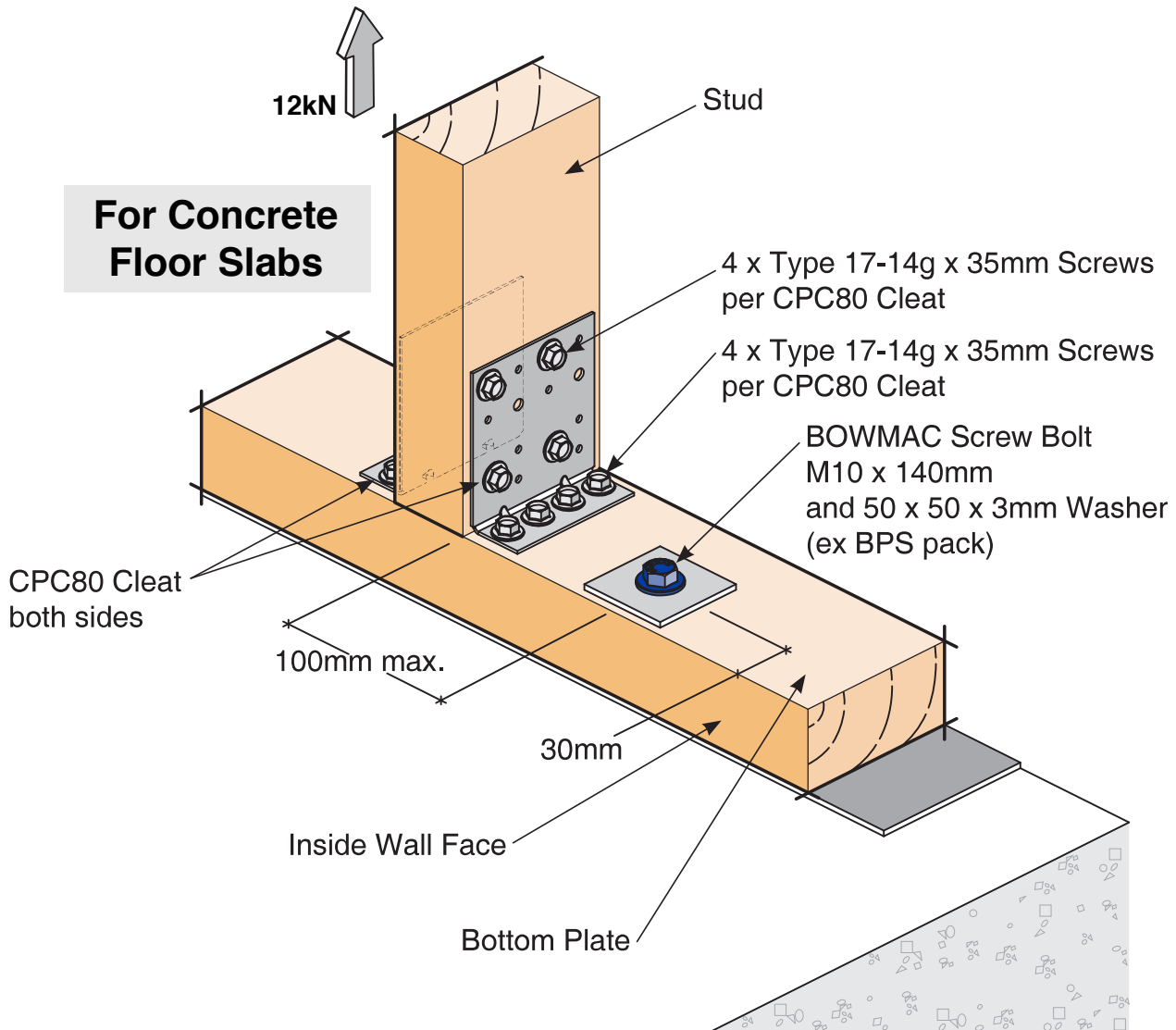


Code: SBP
Material: CPC80 1.55mm G300 Z275 Galvanised Steel
Packed: 2 x CPC80 Cleats
 16 x Type 17-14g x 35mm Hex Head Galvanised Screws

**Available from leading Builders Supply Merchants
 throughout New Zealand**

12kN STUD TO BOTTOM PLATE FIXING

- Ideal as retro fit fixing after lining/cladding is installed
- Two fixings per stud as shown



Code: SBP
Material: CPC80 1.55mm G300 Z275 Galvanised Steel
Packed: 2 x CPC80 Cleats
16 x Type 17-14g x 35mm Hex Head Galvanised Screws

**Available from leading Builders Supply Merchants
throughout New Zealand**