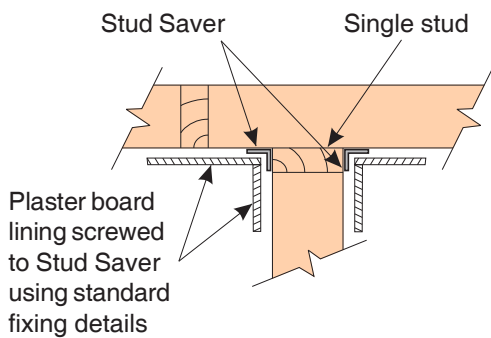




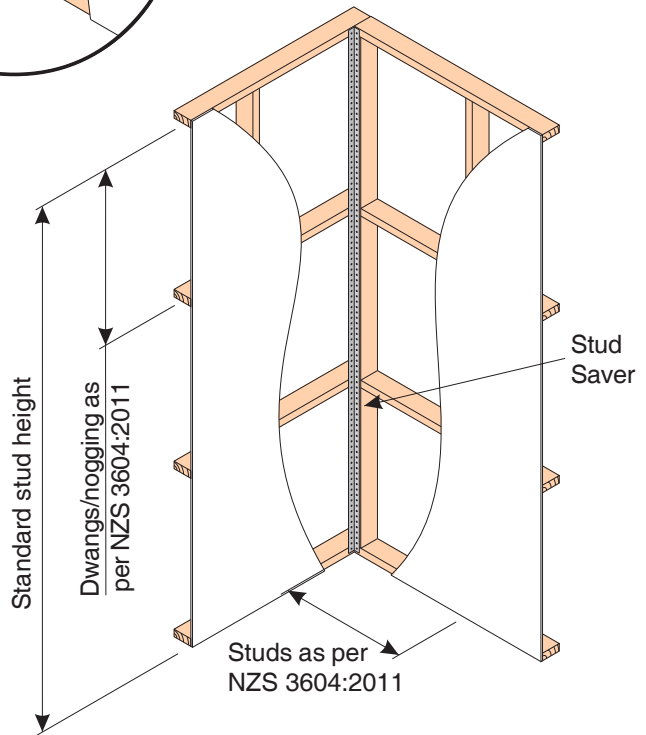
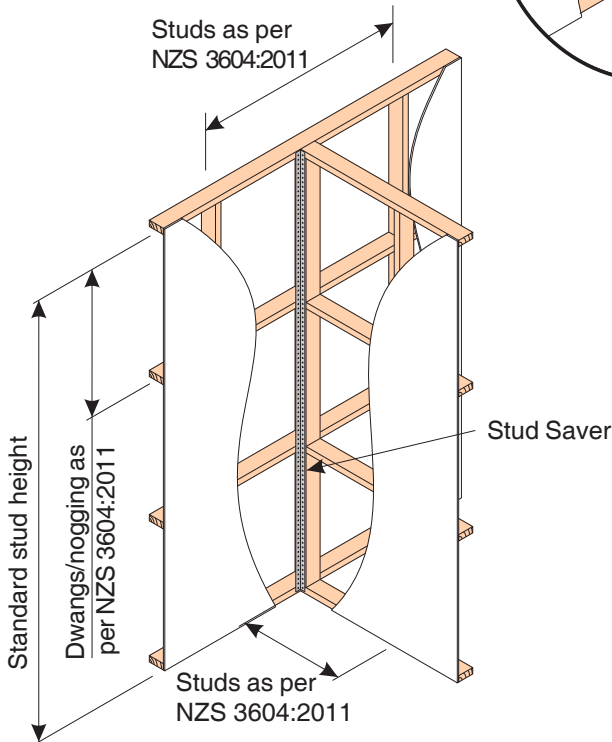
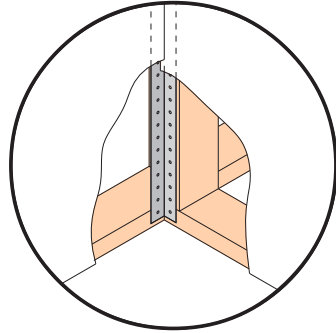
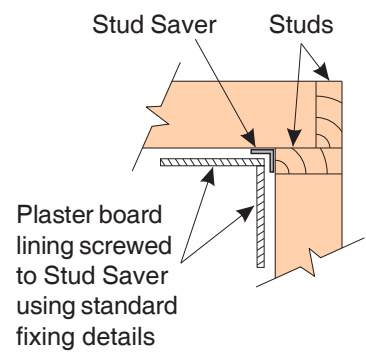
STUD SAVER FOR WALLS

Patent No. 314494

- ★ Eliminates studs and blocks at wall intersections and corners.
- ★ Easy location of internal walls.
- ★ Repositioning of internal walls can be done without modifying the frame.
- ★ Can be fitted easily and quickly on-site before lining.
- ★ Wall board linings are attached by use of standard self-tapping screws.
- ★ Wall bracing performance can be achieved when fixed according to the standard plaster board fixing details. (BRANZ test report dated 5 May 1999)
- ★ Reduces plaster board cracking in corners.
- ★ Supplied in lengths to suit 2400mm wall height.



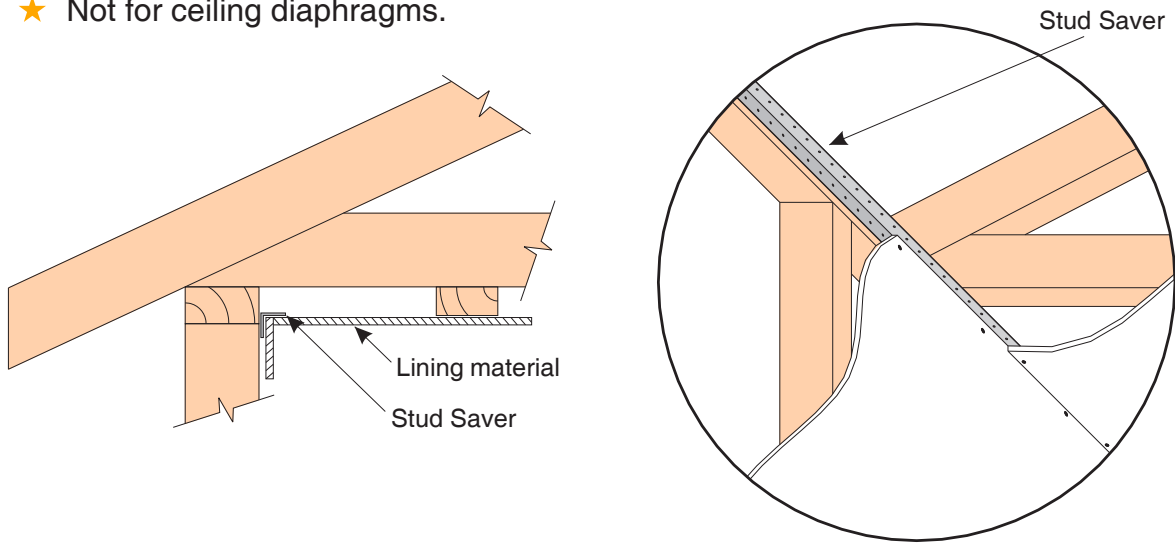
NOTE:
 Fix the Stud Saver to the adjacent stud with 30mm x 2.5 dia. clouts at 300mm crs. and 1/ 30mm x 2.5 dia. clout to each dwang/nog and plate.



STUD SAVER FOR CEILINGS

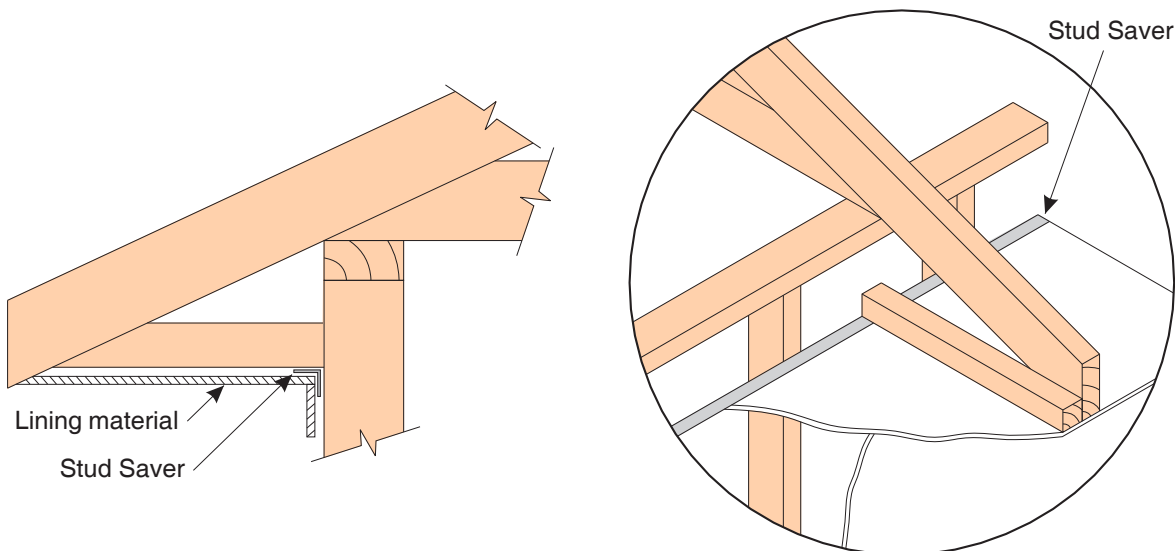
Patent No. 314494

- ★ Alternative to top plate packers.
- ★ Can be adjusted in location to suit any size ceiling batten.
- ★ Can be located over internal walls at the required level to suit the ceiling line.
- ★ Easily fixed to wall plates and studs.
- ★ Reduces cracking along the ceiling wall corners.
- ★ Ceiling material simply attached by use of standard self tapping screws.
- ★ Supplied in 2400mm length.
- ★ Not for ceiling diaphragms.



FOR SOFFIT & EXTERIOR CLADDING SUPPORT

- ★ Eliminates dwang/nog for wall lining support.
- ★ Eliminates ribbon plate for soffit sprockets and lining support.



Material: 0.75mm x 67mm G250 Z275 Galvanised Steel