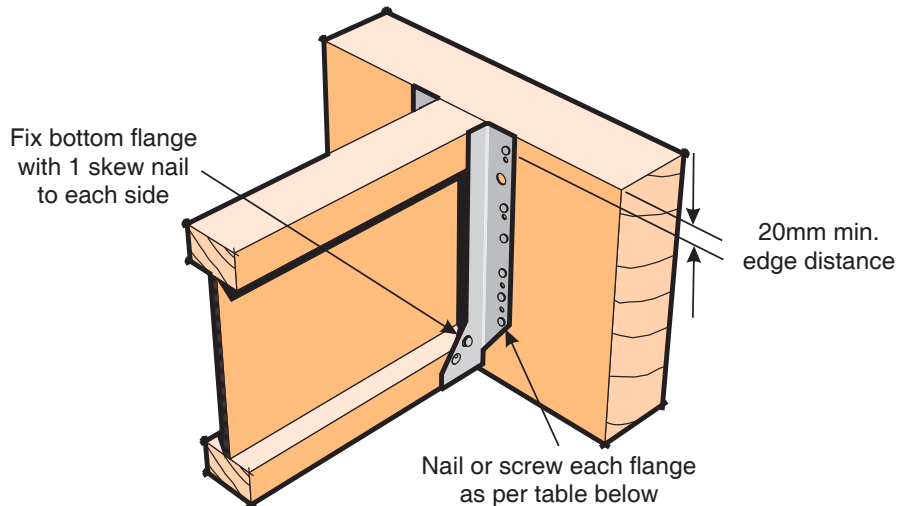
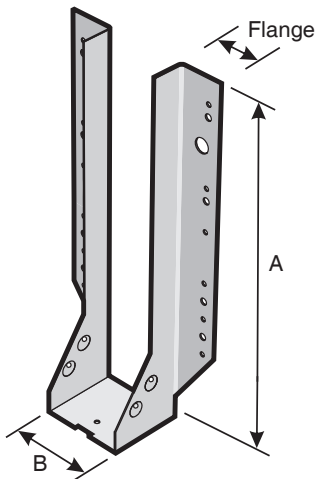


I-BEAM HANGERS FOR FACE FIXING OF I-BEAMS TO FLOOR BEAMS

The I-Beam Hanger Face Fix has been developed to provide an effective method of fixing timber I-Beams to supporting timber beams in floor situations.



1. Fix I-Beam Hanger with 40mm x 3.75 dia. galvanised nails to face of supporting beam through small holes (4mm dia.). Alternatively use Type 17-12g x 35mm screws in the larger holes (6mm dia.). Refer to table for quantity of nails/screws required.
2. Fix bottom I-Beam flange using 2 x 40mm x 3.75 dia. galvanised nails. Select one dimple each side of the I-Beam which will allow a 40mm long nail to be driven fully home at a 45° angle.



Hanger Type	No. of Nails per Flange	Characteristic Loads (Down)		
		Nails	No. of Screws per Flange	Screws
IBHF24055	5	12.0kN	3	18.0kN
IBHF24065	5	12.0kN	3	18.0kN
IBHF24090	5	12.0kN	3	18.0kN
IBHF30065	6	14.4kN	4	24.0kN*
IBHF30090	6	14.4kN	4	24.0kN*
IBHF36065	7	16.8kN	5	24.0kN*
IBHF36090	7	16.8kN	5	24.0kN*
IBHF40090	8	19.2kN	6	24.0kN*

Nails - 40mm x 3.75 dia. or Screws - Type 17-12g x 35mm Hex Head
Additional 2 nails are required for fixing to bottom flange.

Definition:
Example IBHF30065
IBHF = Face Fix
300 = Height (A)
65 = Width (B)

Material:
1.15 G300 Z275 Galvanised Steel

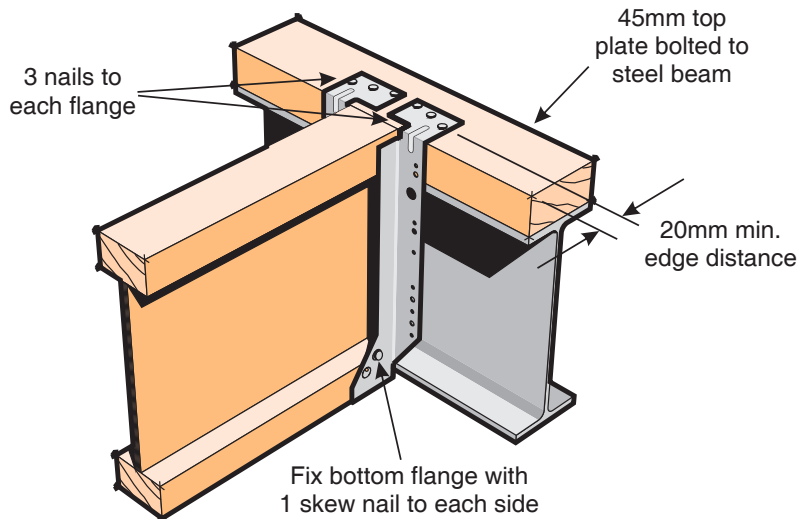
*Maximum hanger load.

Characteristic Strengths have been derived from tests in accordance with NZS 3603:1993

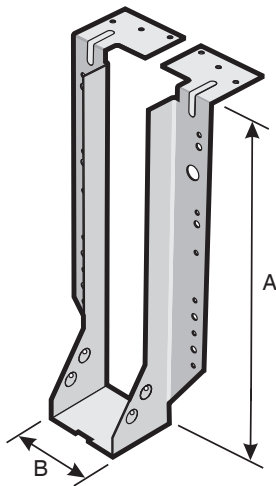
Characteristic nail load = 1.2kN/nail
Characteristic screw load = 3.0kN/screw

I-BEAM HANGERS FOR TOP FIXING OF I-BEAMS TO FLOOR BEAMS

The I-Beam Hanger Top Fix has been developed to provide an effective method of fixing timber I-Beams to supporting steel beams in floor situations.



1. Fix I-Beam Hanger to top of timber plate with 6 x 40mm x 3.75 dia. galvanised nails.
2. Fix bottom I-Beam flange using 2 x 40mm x 3.75 dia. galvanised nails. Select one dimple each side of the I-Beam which will allow a 40mm long nail to be driven fully home at a 45° angle.



Loadings

Hanger Type	No. of Nails	Characteristic Loads (Down)
IBHT24065	6	13.8kN
IBHT24090	6	13.8kN
IBHT30065	6	13.8kN
IBHT30090	6	13.8kN
IBHT36065	6	13.8kN
IBHT36090	6	13.8kN
IBHT40090	6	13.8kN
Nails - 40mm x 3.75 dia. Additional 2 nails are required for fixing to bottom flange.		

Characteristic Strengths have been derived from tests in accordance with NZS 3603:1993

Definition:

Example IBHT30065
 IBHT = Top Fix
 300 = Height (A)
 65 = Width (B)

Material:

1.15 G300 Z275 Galvanised Steel