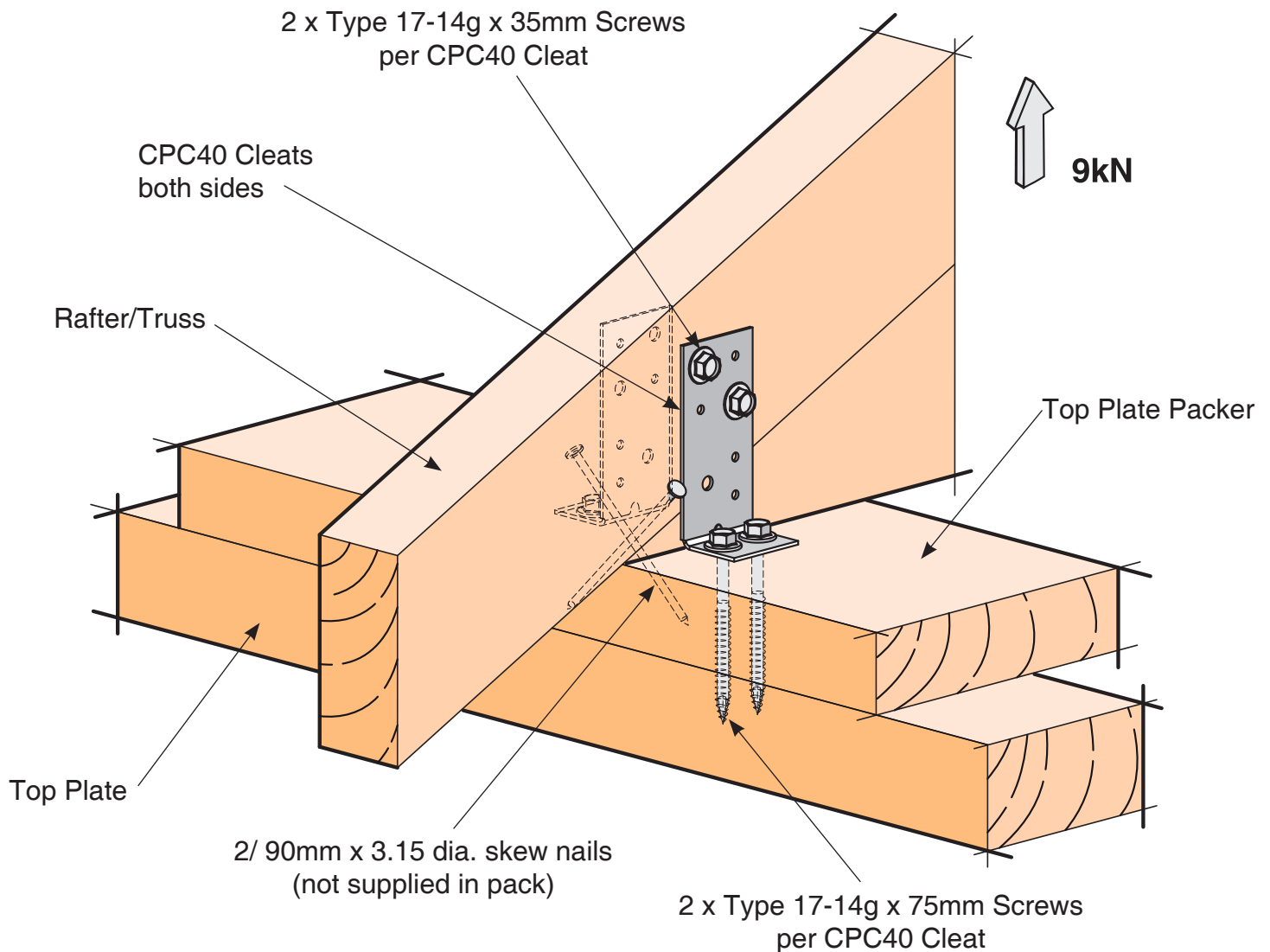


9kN TRUSS TO TOP PLATE FIXING

- ★ Complies with Table 10.15 NZS 3604:2011
- ★ Top mounted fixing allows additional face fixing if required

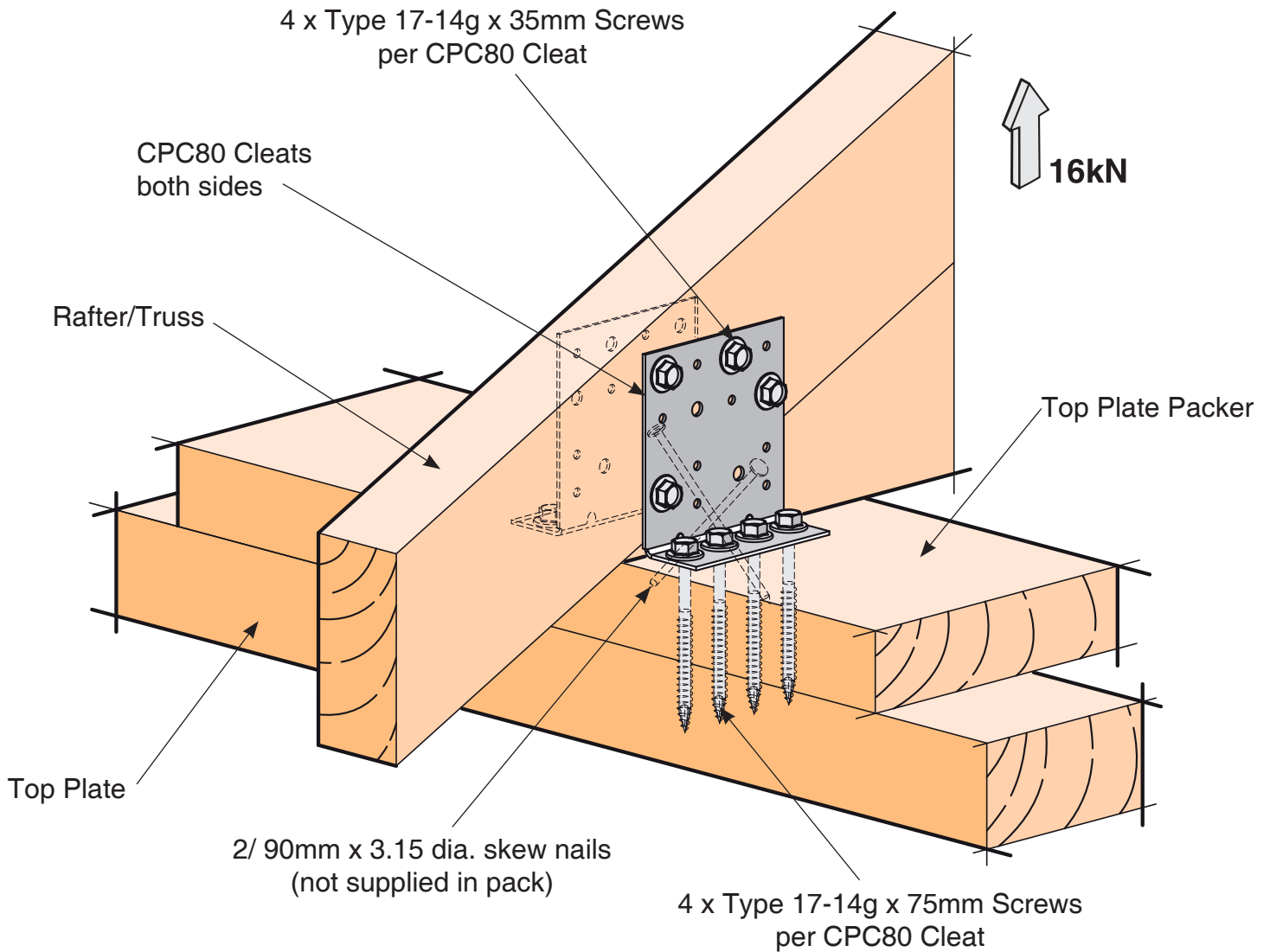


Code: 9KNTTP
Material: CPC40 1.55mm G300 Z275 Galvanised Steel
Packed: 2 x CPC40 Cleats
4 x Type 17-14g x 35mm Hex Head Galvanised Screws
4 x Type 17-14g x 75mm Hex Head Galvanised Screws



16kN TRUSS TO TOP PLATE FIXING

- ★ Complies with Table 10.15 NZS 3604:2011
- ★ Top mounted fixing allows additional face fixing if required



- Code:** 16KNTP
- Material:** CPC80 1.55mm G300 Z275 Galvanised Steel
- Packed:** 2 x CPC80 Cleats
8 x Type 17-14g x 35mm Hex Head Galvanised Screws
8 x Type 17-14g x 75mm Hex Head Galvanised Screws