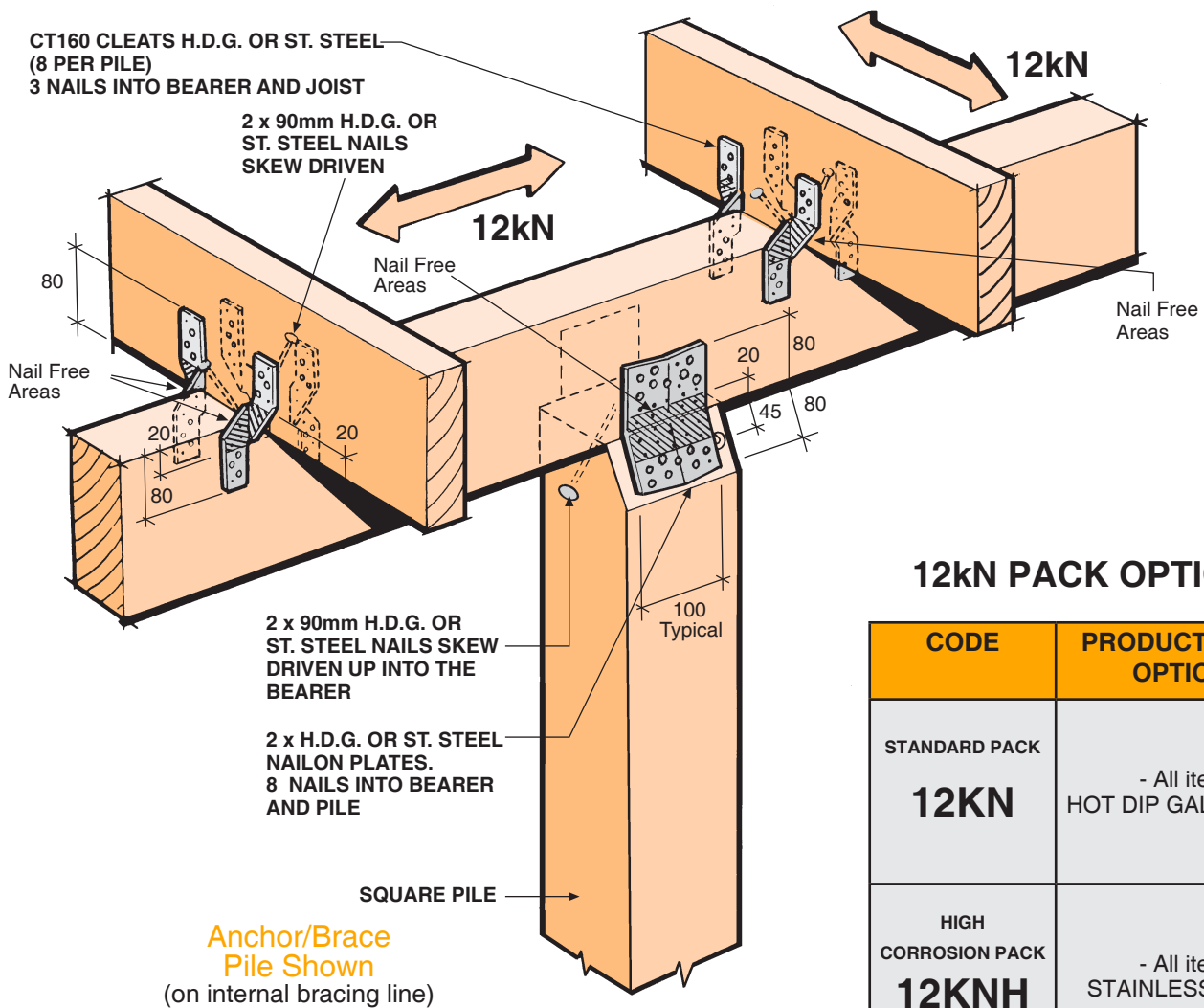


12kN PILE FIXING FOR BRACED PILES OR ANCHOR PILES

- ★ The 12kN Pile Fixing must be installed in accordance with this brochure
- ★ Auckland University Tested. Test Ref. 4613
- ★ All subfloor construction must be in accordance with NZS 3604:2011
- ★ NZS 3604 requires lines of lateral support to floor joists within 300mm of bearer or bracing lines, refer to Clause 7.1.2
- ★ Joists deeper than 150mm require solid nogging over braced or anchor pile



12kN PACK OPTIONS

CODE	PRODUCT FINISH OPTIONS
STANDARD PACK 12KN	- All items HOT DIP GALVANISED
HIGH CORROSION PACK 12KNH	- All items STAINLESS STEEL

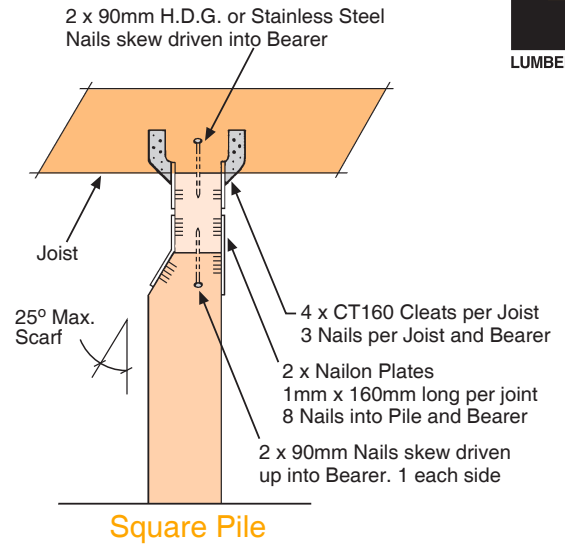
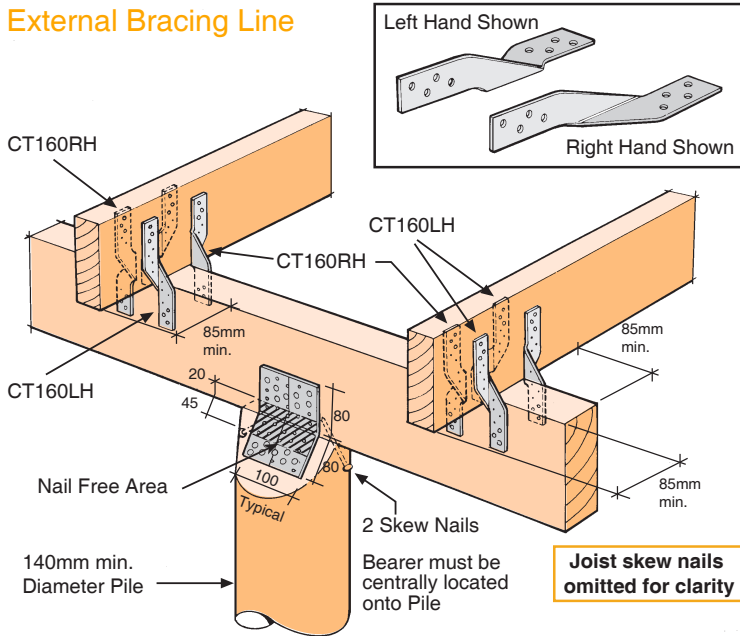
★ See Over For Corrosion Table.



SCAN FOR
INSTALLATION
VIDEO

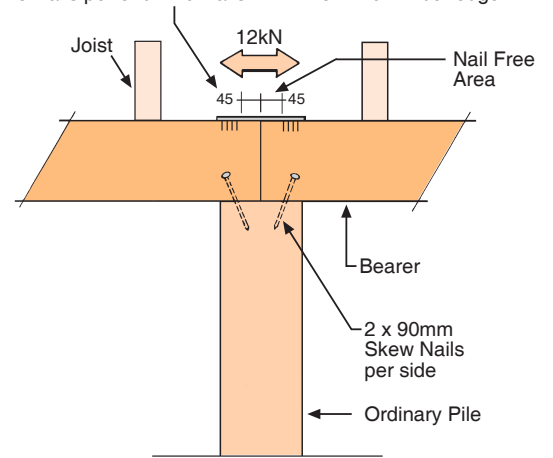
<https://vimeo.com/117350344>

External Bracing Line



Square Pile

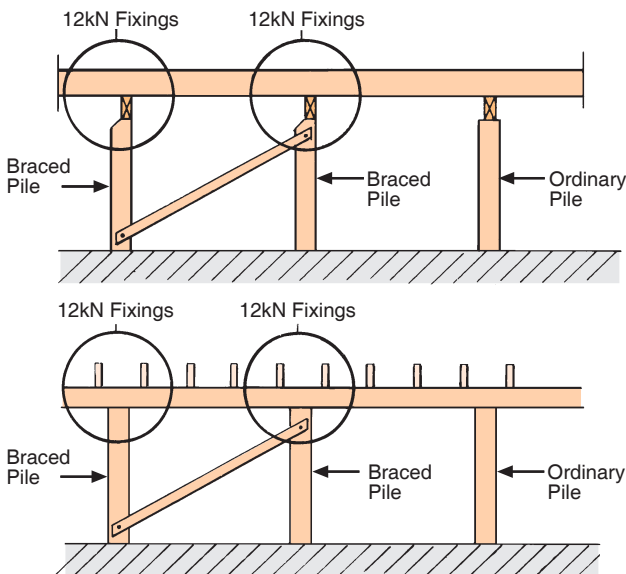
Nailon Plate 1mm x 160mm long (ex 12kN Pack)
8 Nails per end. No Nails within 18mm of timber edge



12kN Bearer Splice

Clause 6.12.7.2
NZS 3604:2011

CORROSION HAZARD USE TABLE	
Standard Pack (12KN) - Zones B & C - All Fixings ABOVE 600mm from Ground level	All items Hot Dip Galvanised.
High Corrosion Pack (12KNH) - Zone D - All Fixings BELOW 600mm from Ground level	All items Stainless Steel (304).



Sample Subfloor Elevations

12kN Fixing - Pile to Bearer
- Joists to Bearer

12kN Joint Fixing Schedule

PILE TO BEARER

- Nailon Plate (2 per joint) 1mm x 100mm (Typical) x 160mm long
- 8 Nails per Plate into Pile
- 8 Nails per Plate into Bearer
- 2 Skew Nails 90mm (1 per face)

JOIST TO BEARER

- CT160 Cleats (4 per Joist) 160mm long
- 3 Nails per Cleat into Joist
- 3 Nails per Cleat into Bearer
- 2 Skew Nails 90mm (1 per side)

NAILS

- 80 x 45mm x 3.55 dia. Spiral Nails
- 6 x 90mm x 4 dia. St. Steel Nails (12KNH Pack only)

12kN Pile Set Contents

Each set represents 1 x 12kN Pile Fixing
(packed 4 sets per carton)
2 x Nailon Plates 160mm long
8 x CT160 Cleats
80 x 45mm x 3.55 dia. Spiral Nails
90mm x 4 dia. St. Steel Angular Groove 6 - 12KNH Pack

} Refer front page
for Product
Finish Options

90mm H.D.G. Nails
not included.