

MATCHPOINT BLADE

HIGH CAPACITY TRUSS AND FRAME COMPONENT SAW

- High capacity , high accuracy truss and frame cutting
- Customised printing
- Crooked lumber sensor (CLS)
- Excellent timber optimisation
- Compound mitre capable
- Automatic infeed deck and intergrated waste conveyor
- 23" touchscreen interface



Description:

The MiTek MatchPoint Blade is a high capacity, high accuracy, single bladed linear saw designed to cut truss and frame components for almost any part needed for roof trusses, floor trusses or wall panels. The MatchPoint BLADE Saw is part of the Blade wood processing system, this includes the MatchPoint BLADE Saw, a materials handling solution and production control department all rolled into one.

MiTek[®]

www.mitek.nz.co.nz



MATCHPOINT BLADE SAW

HIGH CAPACITY TRUSS AND FRAME COMPONENT SAW

Features:

- High capacity saw – up to 450 parts per hour.
- Printing on up to three sides of the part.
- Compound mitre capable.
- Crooked Lumber Sensor (CLS) for improved accuracy.
- Automatic timber staging deck for timber between 1.2m and 6.0m (Autodeck).
- Off-line optimisation software.
- Full OptiFlow integration.
- Operation via 23" touch screen.
- Board sizes: Width – 35 to 50mm
Height – 65 to 285mm
- Accuracy: ± 1 mm and 0.1 degree.
- Cuts parts as short as 50mm, ejected to the outfeed deck.
- Suits the Acer Ranger RS timber delivery system.

Specifications:

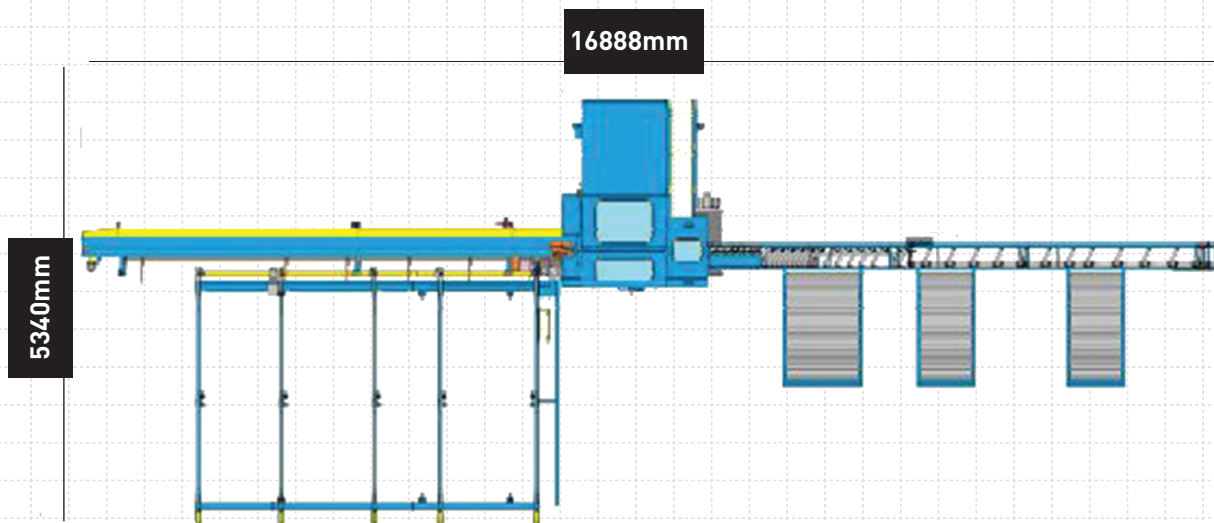
- Power: 415V, 3 Phase & Earth; 50 Amps.
- Air: 15CFM (peak) with 19mm supply line.
- Blade Motor: 5hp motor, 4200 RPM

Options:

- Additional chain strands on the Infeed Deck (Autodeck) to suit any length timber stock.
- Additional edge or face printers.
- Incline waste conveyor
- Outfeed Deck: powered skewed conveyor or conventional conveyor with kick-off.
- Dust extractor.
- Waste conveyor outfeed direction.

Board Stretcher (Optimisation software):

- Office based cutting optimisation to maximise saw availability.
- Import MiTek MME files.
- Optimise according to waste or timber price.
- Manage timber stock inventory.
- Generate timber picking lists for pre-picking of timber stock.



MiTek[®]

www.mitek.nz.co.nz

